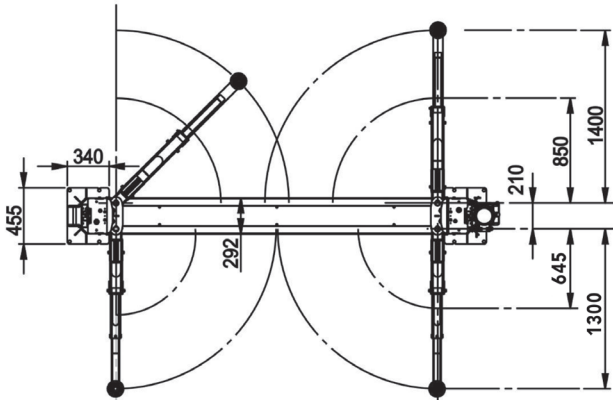
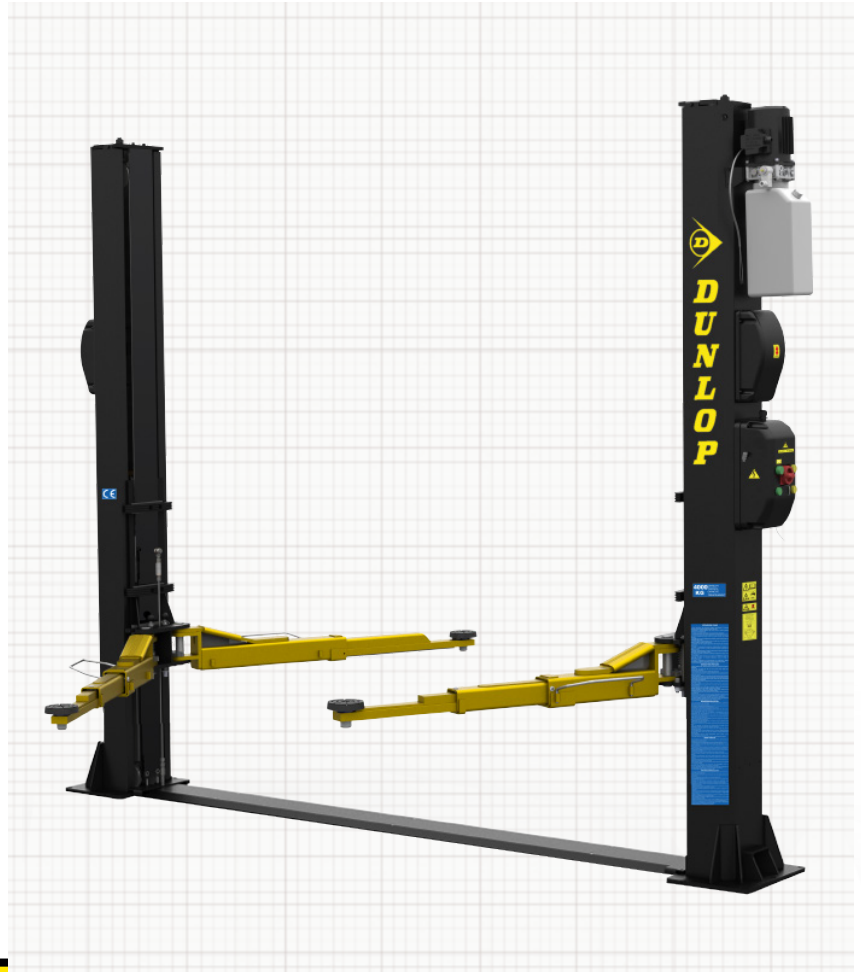
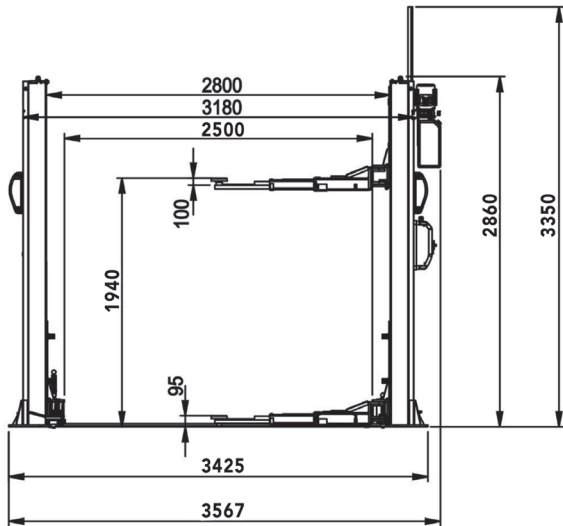


# DL240+ / Two Post Electro-hydraulic Lift

The Dunlop DL240+ Two Post Electro-hydraulic Lift is a solid 4 tonne electro-hydraulic two post lift. This lift is suitable for cars and vans (excluding LWB). Available with a choice of single or three phase motors at no extra cost.



## TECHNICAL SPECIFICATION

Lifting capacity	4 tonnes	Electrical Supply	380/415 Volt 16a Isolator (3Phase)
Lifting time	40 seconds		220/240 Volt 20a Isolator (1 Phase)
Minimum height	95mm	Packaged Dimensions	2870 x 842 x 510mm
Lifting Height	1940mm	<b>Optional Extras</b>	
Distance between posts	2800mm	Pad Extension Kit	80mm + 150mm
Overall width of lift	3425mm (3567mm CB)	<b>(Part Number 99991306)</b>	
Front arms (3 stage)	645mm - 1300mm		
Rear arms (2 stage)	850mm - 1400mm		
Warranty	12 months parts & labour*		

